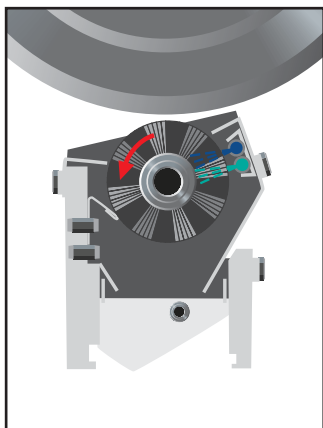
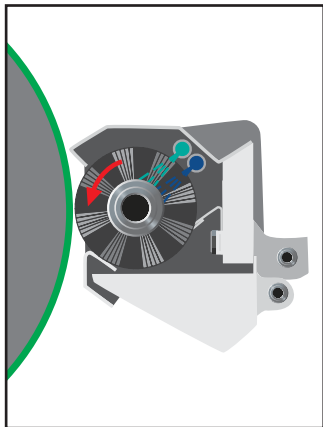


# wash 611P-UV

For Higher Quality In Offset Printing



Print quality and profitability are directly related to the choice washing agent.

## Application

The printcom wash 611P-UV is a powerful sheetfed wash for blankets and rollers (EPDM material) as well as for impression cylinders.

It can be used in both brush and blade wash-up devices as well as for manual washing.

The flashpoint of printcom wash 611P-UV lies at 165 °F.

## Advantages

- Outstanding cleaning power
- Suitable for all common UV inks for paper, foil and sheet metal applications
- Superb drain-off characteristics
- Water-miscible for very fast paper build-up solubilisation
- Using water, it can easily and without residues be removed from blankets, rollers and cylinders
- Omission of locking time between washing and drying possible
- Environmentally friendly, free of CHC's and AH's
- Low odor



In the realm of printcom washes, optimized wash-up results, reduced wash-up times and extended wash-up intervals are the primary goals of manroland's research and development efforts.

Be it blanket, cylinder or roller washing, printcom offers the optimum product – for use in automated wash-up devices or for manual use.

printcom stands for "print competence" and represents manroland's offering of process-compliant system components for the printing industry. Customer satisfaction is our top priority, and the printcom team is here to serve you.

#### Technical Data

Type of Wash	sheetfed wash for EPDM material
Application Areas	brush wash-up devices roller wash-up devices manual washing
Colour	colorless, transparent
Flashpoint	165 °F
Water-miscible	yes
Filterable	no
Free of CHC's and AH's	yes
VOC ("Method 24")	7.08 lb/gal
Corrosion-inhibited	yes

#### Certificates and Approvals

For a current list of certificates and approvals as well as possible restrictions, please refer to [www.fogra.org](http://www.fogra.org)!

Certified by FOGRA	pending
manroland Sheetfed (sole UV production)	ROLAND 500 ROLAND 700 (from series 751) ROLAND 900 (from series 941)
manroland Heatset	no
manroland Coldset	no

#### Packaging Units

All packaging units are non-returnable, returnable containers are available upon request.

Pails	5 gal
Drums	55 gal
Totes (stainless steel)	345 gal

#### Transport and Storage

cool and dry, protected against direct sunlight and freezing

Augsburg.1.0609, us-englisch, wash 611P-UV



**manroland USA, Inc.**  
800 East Oak Hill Drive  
Westmont, IL 60559  
vox 630 920 2000  
fax 630 321 3154  
printcom@manroland.us  
www.manroland.us

**manroland**